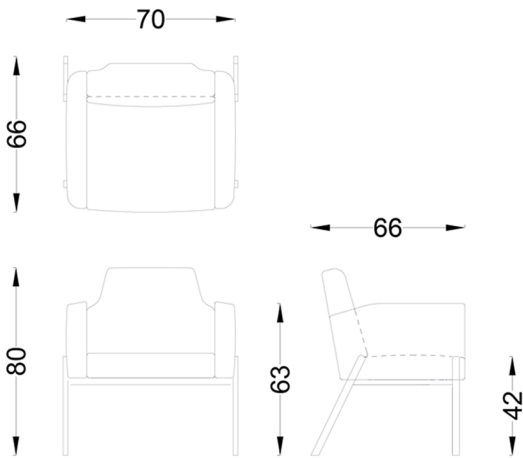
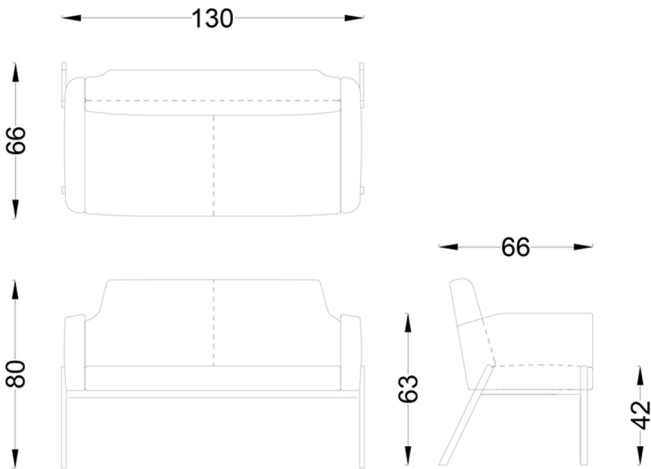


## HMRM 0001 HUMER SINGLE - METAL LEG



## HMRM 0002 HUMER DOUBLE - METAL LEG



KOD / CODE	MODEL	U / L	D / D	Y / H	KG	M <sup>3</sup>	LEATHER FABRIC	GENUINE LEATHER
							M	M <sup>2</sup>
HMRM 0001	SINGLE	70	66	80			2,3	4,6
HMRM 0002	DOUBLE	130	66	80			3,5	7

Framework : 20\*20\*1mm metal profile. Beech wood on metal skeleton.

Sponge : Back and arm polyurethane injection molding. Seat 30 dream soft cutting sponge. 30 dream soft sponge on elastic column.

Legs : 30\*15mm oval metal profile

Alternates for fabric and for faux leather.